



A Donald **BASIL** Company

Life Science Solutions

The LYNX mission is to provide Animal Care Washing Systems of the highest standards, quality, and reliability in the industry. Our service and customer care will be unmatched

Model 100LX Bottle Filler

APPLICATION:

The Feeder Bottle Filler is a manifold type filler designed for filling basket loads of feeder bottles used in the care of laboratory animals.

CONSTRUCTION:

- All Stainless Steel Construction
- Individual S/S Spray Jets
- Adjustable Leveling Feet
- Stainless Steel Splash Hood
- Quick Disconnect Filler Manifold

ACCESSORIES:

- Additional Filler Head (Manifold)
- Bottle Basket Transfer Cart
- Bottle Baskets

OPTIONAL FEATURES:

- Automatic Operations
- Stainless Steel Piping and Components
- Acid Proportioner
- pH Monitoring System
- pH Strip Chart Recorder
- Seismic Tie Downs



SIZE:

24" wide x 44" long x 48" high*
* 64" High with Automatic Operations
Control Panel

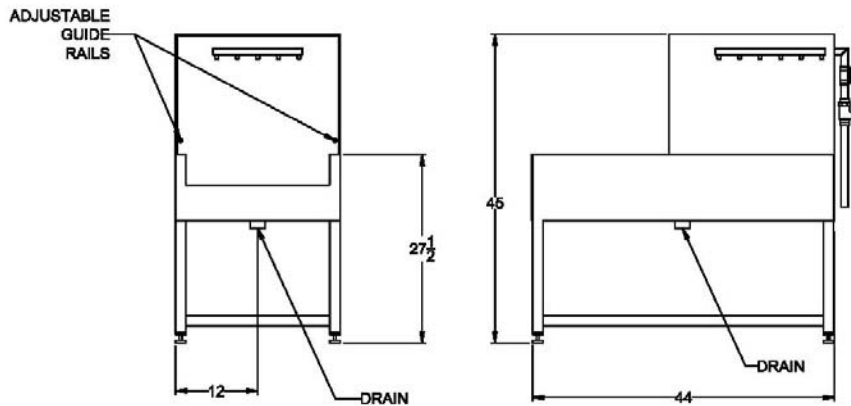
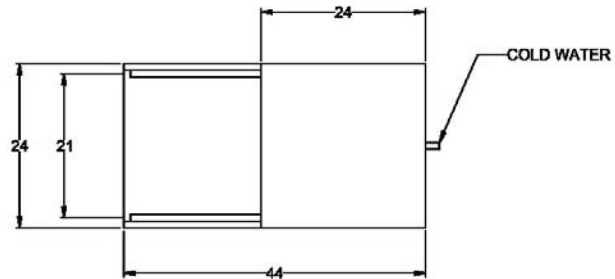
Note: Filler can be designed to any basket size or configuration to meet new or existing applications.

Make a Difference...Make it LYNX!

Utilities: 100LX

CW	Cold Water	1" NPT	35 PSI \pm 5 PSI
D	Drain	1 1/2" Connection	
E*	Electrical	120 VAC	

*E – Required if Auto Fill package is ordered



NOTE:

- *The selection of certain options could reduce the above stated utilities. Please consult your LYNX representative to discuss your specific requirements.*
- *Drawing data is for general reference only. Each sized unit and selected options will effect the overall machine size. Obtain certified drawings for design and installation details.*
- *Specifications are subject to change without notice.*



A Donald **BASIL** Company

Life Science Solutions

The LYNX mission is to provide Animal Care Washing Systems of the highest standards, quality, and reliability in the industry. Our service and customer care will be unmatched

Model 110LX Bottle Filler

APPLICATION:

The Feeder Bottle Filler is an inline, manifold type filler designed for filling basket loads of feeder bottles used in the care of laboratory animals.

CONSTRUCTION:

- All Stainless Steel Construction
- Individual S/S Spray Jets
- Adjustable Leveling Feet
- Stainless Steel Back-Splash
- Quick Disconnect Filler Manifold

SIZE:

30" wide x 96" long x 54" high*

* Dimensions may change with selected options

Note: Filler can be designed to any basket size or configuration to meet new or existing applications.

ACCESSORIES:

- Additional Filler Head (Manifold)
- Bottle Basket Transfer Cart
- Bottle Baskets

OPTIONAL FEATURES:

- Automatic Operations
- Stainless Steel Piping and Components
- Acid Proportioner
- pH Monitoring System
- pH Strip Chart Recorder
- Seismic Tie Downs

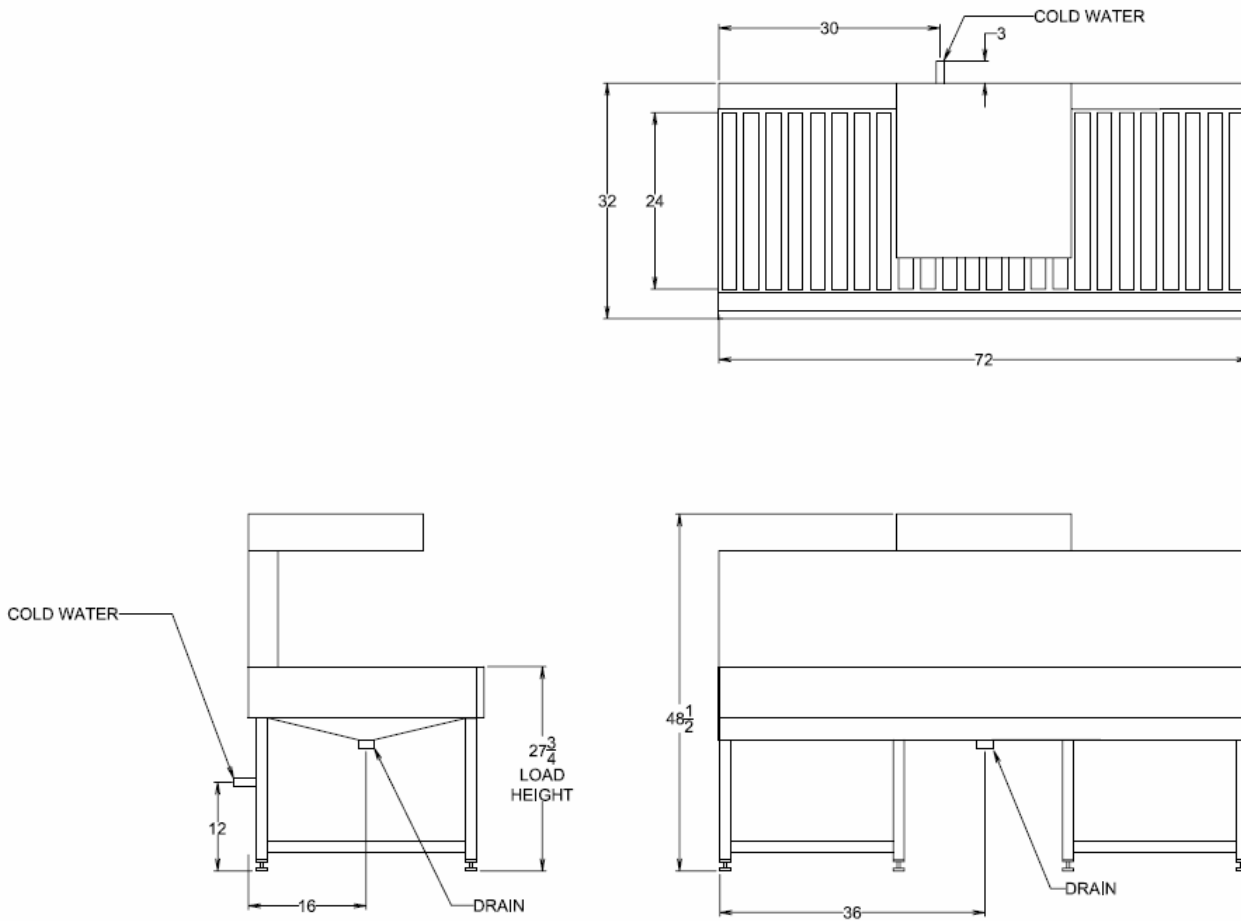


Make a Difference...Make it LYNX!

Utilities: 110LX

CW	Cold Water	1" NPT	35 PSI \pm 5 PSI
D	Drain	1 1/2" Connection	
E*	Electrical	120 VAC	

*E – Required if Auto Fill package is ordered



NOTE:

- The selection of certain options could reduce the above stated utilities. Please consult your LYNX representative to discuss your specific requirements.
- Drawing data is for general reference only. Each sized unit and selected options will effect the overall machine size. Obtain certified drawings for design and installation details.
- Specifications are subject to change without notice.



A Donald **BASL** Company

The LYNX mission is to provide Animal Care Washing Systems of the highest standards, quality, and reliability in the industry. Our service and customer care will be unmatched

Model 170LX Wall Mounted Bottle Filler

APPLICATION:

The Feeder Bottle Filler is a wall mounted, manifold type filler designed for filling basket loads of feeder bottles used in the care of laboratory animals.

CONSTRUCTION:

- All Stainless Steel Construction
- Individual S/S Spray Jets
- Wall Mounted
- Filler Head Outfitted with Gas-Filled Springs
- Quick-Operating Ball Valve

ACCESSORIES:

- Additional Filler Header (Manifold)
- Bottle Basket Transfer Cart
- Bottle Baskets

OPTIONAL FEATURES:

- Automatic Operations
- Selectable Bottle Types
- Stainless Steel Piping and Components
- Acid Proportioner
- pH Monitoring System
- pH Strip Chart Recorder



SIZE:

With no cart docked/header up:
48" wide x 9¾" deep x 54" high

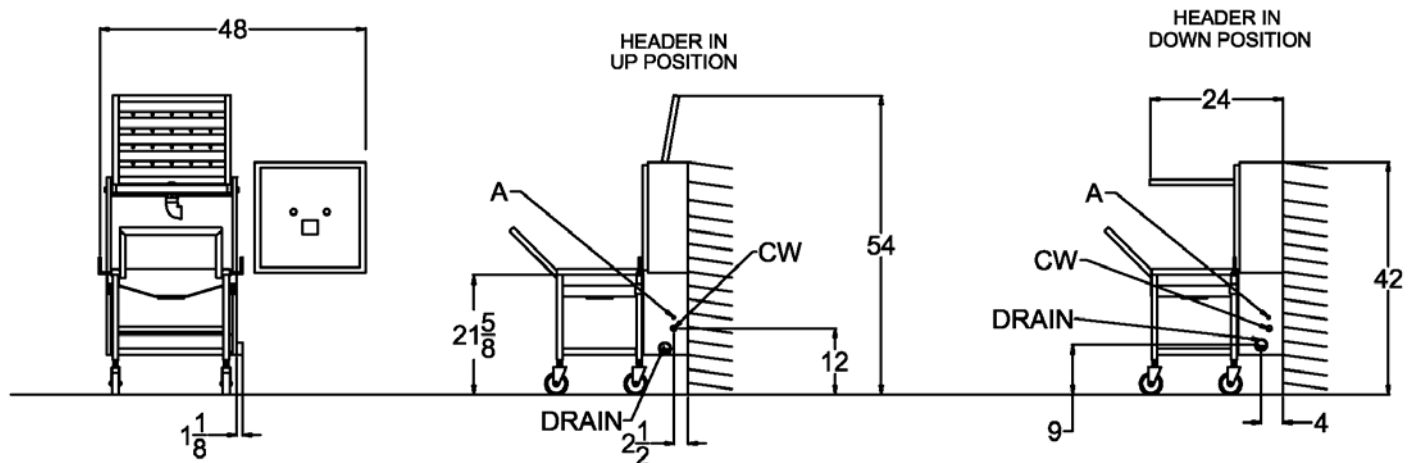
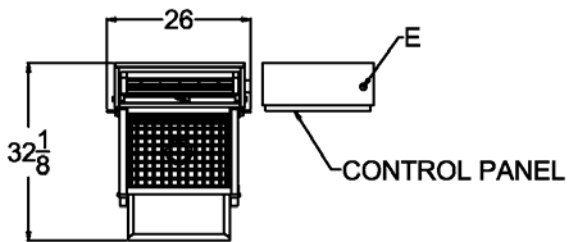
With cart in docked position/header down:
48" wide x 32½" deep x 42" high

Note: Filler can be designed to any basket size or configuration to meet new or existing applications.

Make a Difference... Make it LYNX!

Utilities: 170LX

CW	Cold Water	1" NPT @ 35 PSI	15 GPM
D	Drain	1 ½" NPT Connection	
E	Electrical	110 V – 15A	
A	Air	100 PSI	3CFM



NOTE:

- The selection of certain options could reduce the above stated utilities. Please consult your LYNX representative to discuss your specific requirements.
- Drawing data is for general reference only. Each sized unit and selected options will effect the overall machine size. Obtain certified drawings for design and installation details.
- Specifications are subject to change without notice.



A Donald **BASL** Company

The LYNX mission is to provide Animal Care Washing Systems of the highest standards, quality, and reliability in the industry. Our service and customer care will be unmatched

Model 175LX Automatic Bottle Filler

APPLICATION:

The Feeder Bottle Filler is an automatic manifold type filler designed for filling basket loads of feeder bottles used in the care of laboratory animals.

CONSTRUCTION:

- All Stainless Steel Construction
- Individual S/S Spray Jets
- Quick-Disconnect for Additional Filler Manifold
- Quick-Operating Ball Valve

ACCESSORIES:

- Additional Filler Header (Manifold)
- Bottle Basket Transfer Cart
- Bottle Baskets

OPTIONAL FEATURES:

- Automatic Operations
- Selectable Head Filling
- Selectable Bottle Types
- Stainless Steel Piping and Components
- Seismic Tie-Down
- Acid Proportioner
- pH Monitoring System
- pH Recorder



SIZE:

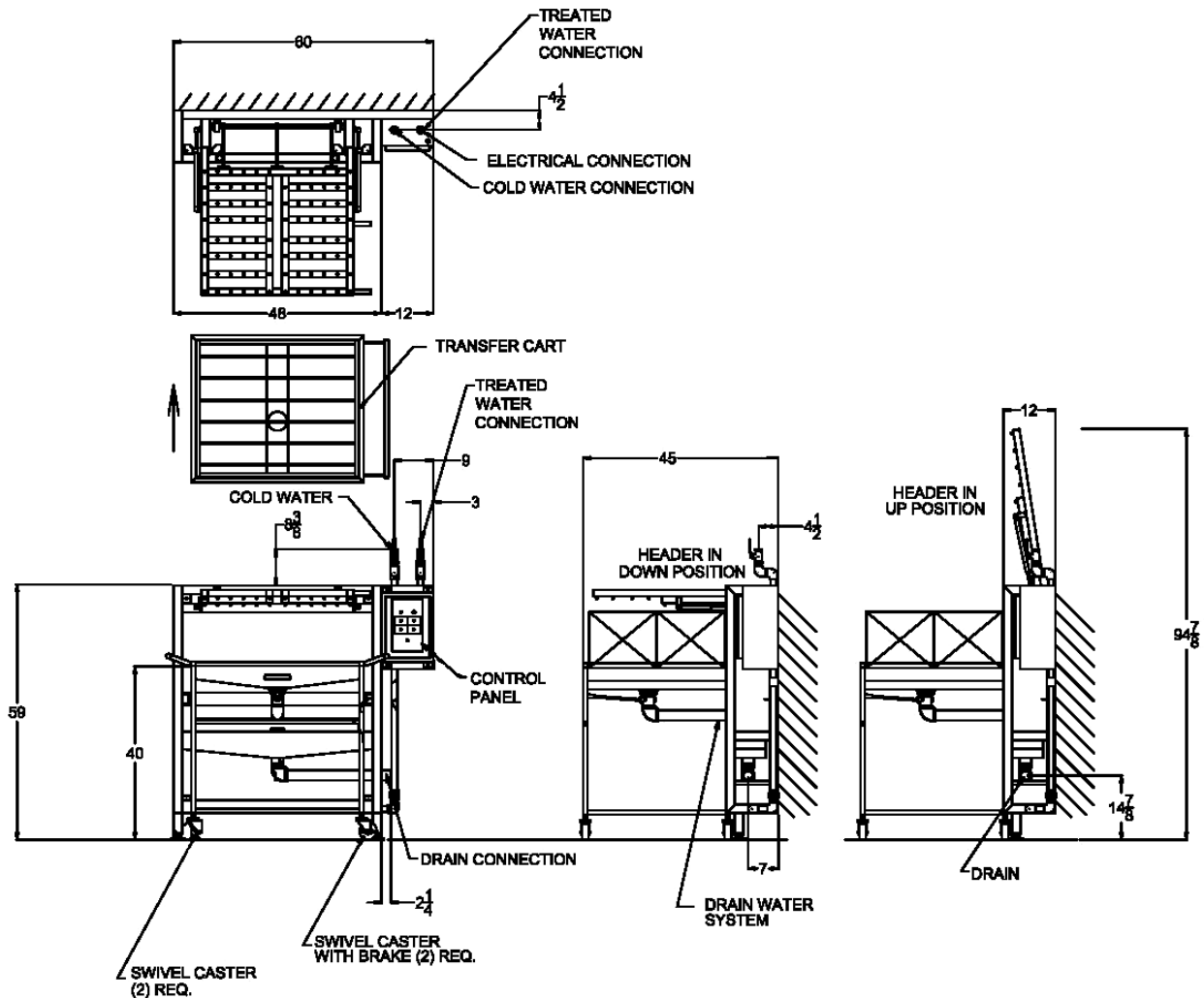
60" wide x 40" deep x 95" high*
* with cart in docked position & header up

Note: Filler can be designed to any basket size or configuration to meet new or existing applications.

Make a Difference... Make it LYNX!

Utilities: 175LX

CW	Cold Water	1" NPT @ 35 PSI	15 GPM
TW	Treated Water	1" NPT @ 20 PSI	15 GPM
D	Drain	1 1/2" Connection	
E	Electrical	110 V – 15A	
A	Air	100 PSI	3 CFM



NOTE:

- The selection of certain options could reduce or increase the above stated utilities. Please consult your LYNX representative to discuss your specific requirements.
- Drawing data is for general reference only. Each sized unit and selected options will effect the overall machine size. Obtain certified drawings for design and installation details.
- Specifications are subject to change without notice.