



A Donald **BASIL** Company

Life Science Solutions

The LYNX mission is to provide Animal Care Washing Systems of the highest standards, quality, and reliability in the industry. Our service and customer care will be unmatched

Model 524LXi Tunnel Cage Washer

APPLICATION:

The Tunnel Cage Washer is a heavy duty, conveyORIZED, hydro-spray washer designed for thorough, efficient cleaning of cages, debris pans, bottles, feeder bowls, and miscellaneous items used in the care of laboratory animals.

STANDARD FEATURES:

- Integral Unitized Construction
- Removable Spray Headers
- Personnel Safety Features
- Micro-Computer Control System
- Drawer-type Solution Strainers
- Temperature Guarantee
- Insulated Construction
- Flat Wire Conveyor Belt
- Hydraulic Hold-down System
- Incoming Utility Gauges

CONSTRUCTION:

- All Stainless Steel Construction
- Splash Proof Access Doors
- Automatic Water Level Control
- One-piece Welded Construction
- Stainless Steel Steam Coil Heating
- Touch Screen Operator Interface
- 2-10 Feet/Minute Conveyor Drive Motor
- Direct Reading Pump Pressure Gauges
- Double-Pane Glass Windows

ACCESSORIES:

- Barrier Flange
- Modular Walls



SIZE:

Tunnel Opening: 25" high x 25" wide

Overall Size: 85" high x 61" wide

Washer Lengths: 10'-0", 15'-0", 19'-0" long

Note: Washer can be designed to any size to meet new or existing applications. (Overall size may vary upon options chosen)

OPTIONAL FEATURES:

- S/S Recirculation Piping and Components
- Automatic Self Cleaning Screens
- Electromechanical Control
- De-scaling Cycle
- Automatic Tank Draining System
- Automatic Drain Discharge Cool-down
- Discharge Roller Conveyors
- Strip Chart Recorder
- Modem
- Ethernet or RS-485 Data Port
- Bedding Dispenser Controls
- 6' Single Blower Drying System
- 7' Double Blower Drying System
- Right or Left Hand Services
- Air Compressor
- Seismic Tie Down
- Detergent Dispensing Systems
- pH Neutralization System

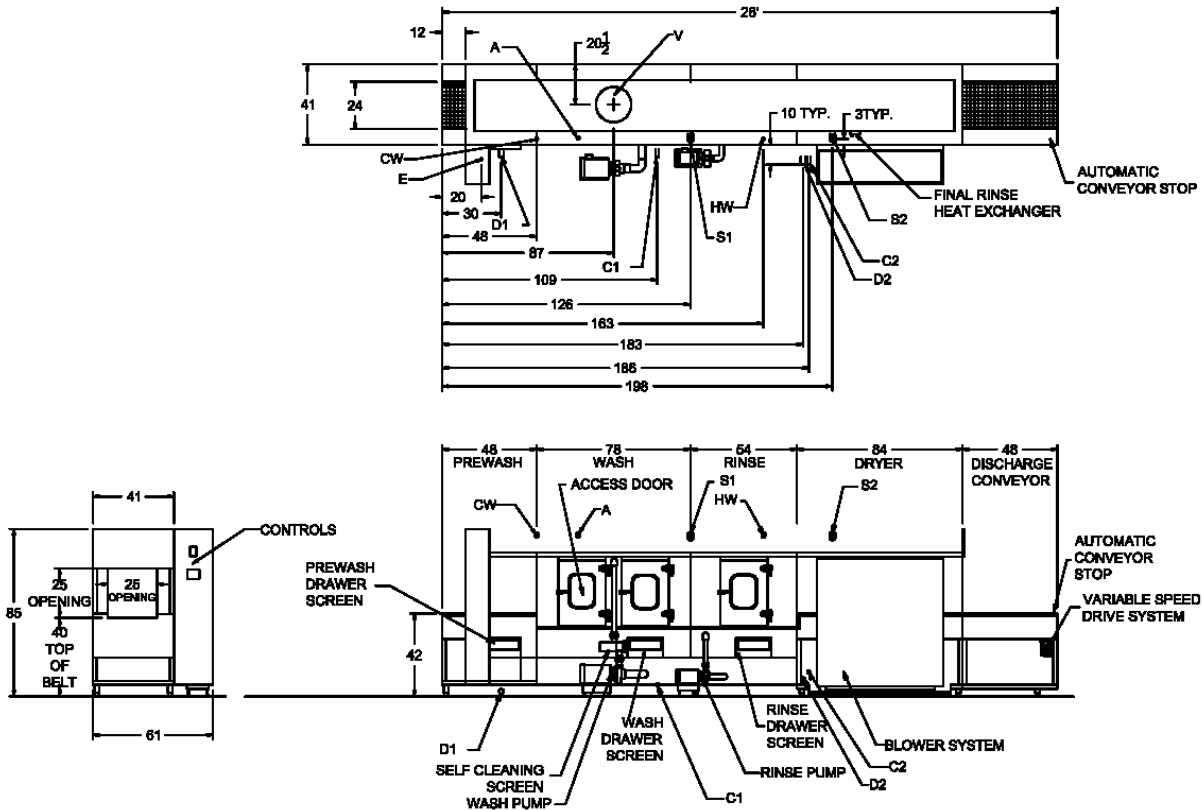
Make a Difference... Make it LYNX!

UTILITIES: 524LXi

E	Electrical	3-60-208/230/460V	22 Hp	
S1	Steam	2" NPT	30-80 PSI	1400 Lbs/Hr Flow Rate
S2*	Steam	2" NPT	30-80 PSI	1000 Lbs/Hr Flow Rate
HW	Hot Water	1 1/2" NPT	35-60 PSI	30-50 GPM @ 140°F ± 5°F (Fills Only) 12 GPM Continuous
C	Condensate	1" NPT	2 Required	
D	Drain	4" Floor Drain (Minimum)	50 GPM	2 Required
V	Vent	18" ID Duct	2200 CFM	Saturated Vapor @ 180 °F
A	Air	1/2" NPT	100-125 PSI	1-2 CFM Flow Rate
CW*	Cold Water	1 1/2" NPT	35-60 PSI	35 GPM @ 50°F

*S2 - Required if optional dryer package is ordered

*CW - Required if drain discharge cool down package is ordered



NOTE:

- The selection of certain options could reduce the above stated utilities. Please consult your LYNX representative to discuss your specific requirements.
- Drawing data is for general reference only. Each sized unit and selected options will effect the overall machine size. Obtain certified drawings for design and installation details.
- Specifications are subject to change without notice.



A Donald **BASIL** Company

Life Science Solutions

The LYNX mission is to provide Animal Care Washing Systems of the highest standards, quality, and reliability in the industry. Our service and customer care will be unmatched

Model 530LXi Tunnel Cage Washer

APPLICATION:

The Tunnel Cage Washer is a heavy duty, conveyORIZED, hydro-spray washer designed for thorough, efficient cleaning of cages, debris pans, bottles, feeder bowls, and miscellaneous items used in the care of laboratory animals.

STANDARD FEATURES:

- Integral Unitized Construction
- Removable Spray Headers
- Personnel Safety Features
- Micro-Computer Control System
- Drawer-type Solution Strainers
- Temperature Guarantee
- Insulated Construction
- Flat Wire Conveyor Belt
- Hydraulic Hold-down System
- Incoming Utility Gauges

CONSTRUCTION:

- All Stainless Steel Construction
- Splash Proof Access Doors
- Automatic Water Level Control
- One-piece Welded Construction
- Stainless Steel Steam Coil Heating
- Touch Screen Operator Interface
- 2-10 Feet/Minute Conveyor Drive Motor
- Direct Reading Pump Pressure Gauges
- Double-Pane Glass Windows

ACCESSORIES:

- Barrier Flange
- Modular Walls



SIZE:

Tunnel Opening: 25" high x 31" wide

Overall Size: 85" high x 67" wide

Washer Lengths: 10'-0", 15'-0", 19'-0" long

Note: Washer can be designed to any size to meet new or existing applications. (Overall size may vary upon options chosen)

OPTIONAL FEATURES:

- S/S Recirculation Piping and Components
- Automatic Self Cleaning Screens
- Electromechanical Control
- De-scaling Cycle
- Automatic Tank Draining System
- Automatic Drain Discharge Cool-down
- Discharge Roller Conveyors
- Strip Chart Recorder
- Modem
- Ethernet or RS-485 Data Port
- Bedding Dispenser Controls
- 6' Single Blower Drying System
- 7' Double Blower Drying System
- Right or Left Hand Services
- Air Compressor
- Seismic Tie Down
- Detergent Dispensing Systems
- pH Neutralization System

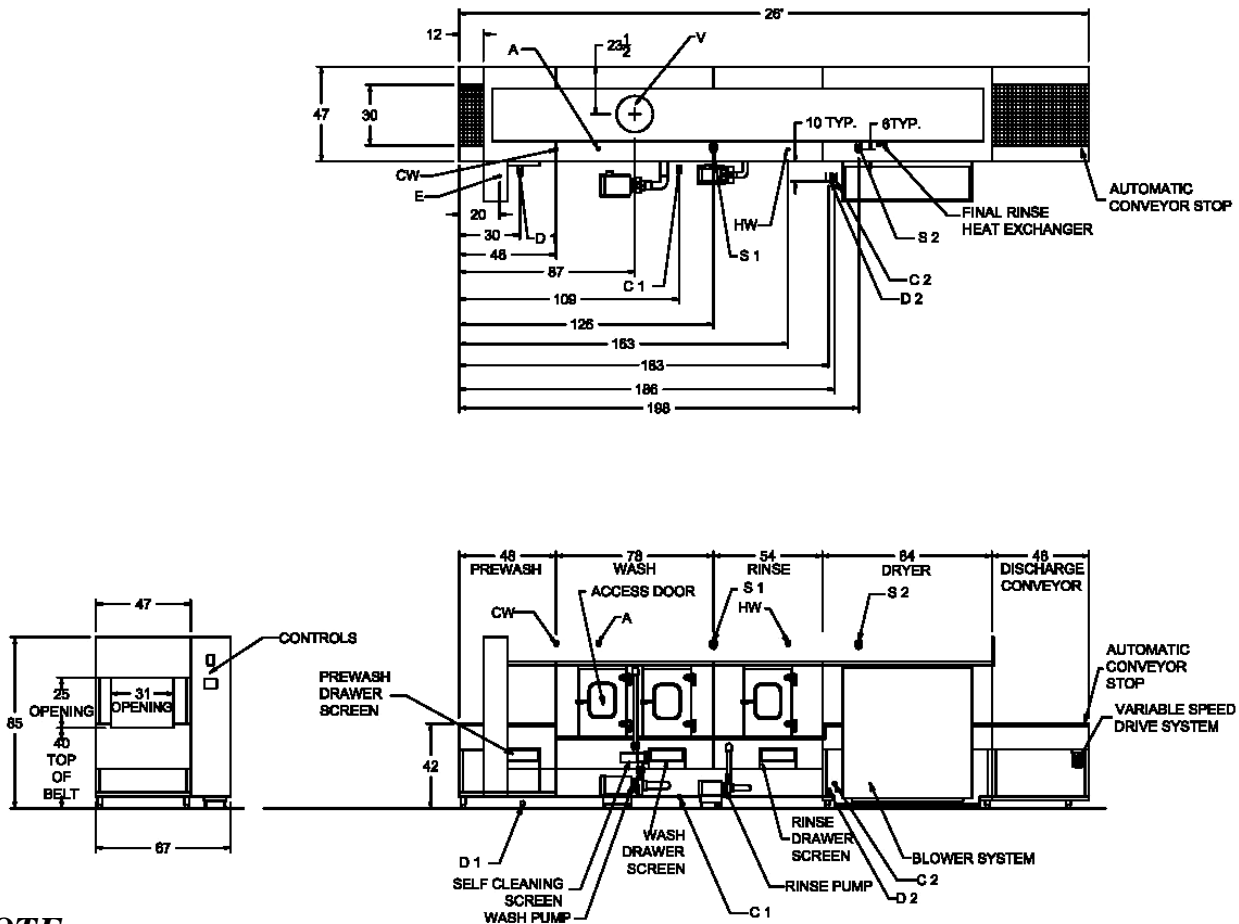
Make a Difference... Make it LYNX!

UTILITIES: 530LXi

E	Electrical	3-60-208/230/460V	24 Hp	
S1	Steam	2" NPT	30-80 PSI	1400 Lbs/Hr Flow Rate
S2*	Steam	2" NPT	30-80 PSI	1000 Lbs/Hr Flow Rate
HW	Hot Water	1 1/2" NPT	35-60 PSI	30-50 GPM @ 140°F ± 5°F (Fills Only) 12 GPM Continuous
C	Condensate	1" NPT	2 Required	
D	Drain	4" Floor Drain (Minimum)	50 GPM	2 Required
V	Vent	18" ID Duct	2200 CFM	Saturated Vapor @ 180 °F
A	Air	1/2" NPT	100-125 PSI	1-2 CFM Flow Rate
CW*	Cold Water	1 1/2" NPT	35-60 PSI	35 GPM @ 50°F

*S2 - Required if optional dryer package is ordered

*CW - Required if drain discharge cool down package is ordered



NOTE:

- The selection of certain options could reduce the above stated utilities. Please consult your LYNX representative to discuss your specific requirements.
- Drawing data is for general reference only. Each sized unit and selected options will effect the overall machine size. Obtain certified drawings for design and installation details.
- Specifications are subject to change without notice.



A Donald **BASIL** Company

Life Science Solutions

The LYNX mission is to provide Animal Care Washing Systems of the highest standards, quality, and reliability in the industry. Our service and customer care will be unmatched

Model 536LXi Tunnel Cage Washer

APPLICATION:

The Tunnel Cage Washer is a heavy duty, conveyORIZED, hydro-spray washer designed for thorough, efficient cleaning of cages, debris pans, bottles, feeder bowls, and miscellaneous items used in the care of laboratory animals.

STANDARD FEATURES:

- Integral Unitized Construction
- Removable Spray Headers
- Personnel Safety Features
- Micro-Computer Control System
- Drawer-type Solution Strainers
- Temperature Guarantee
- Insulated Construction
- Flat Wire Conveyor Belt
- Hydraulic Hold-down System
- Incoming Utility Gauges

CONSTRUCTION:

- All Stainless Steel Construction
- Splash Proof Access Doors
- Automatic Water Level Control
- One-piece Welded Construction
- Stainless Steel Steam Coil Heating
- Touch Screen Operator Interface
- 2-10 Feet/Minute Conveyor Drive Motor
- Direct Reading Pump Pressure Gauges
- Double-Pane Glass Windows

ACCESSORIES:

- Barrier Flange
- Modular Walls



SIZE:

Tunnel Opening: 25" high x 37" wide

Overall Size: 85" high x 73" wide

Washer Lengths: 10'-0", 15'-0", 19'-0" long

Note: Washer can be designed to any size to meet new or existing applications. (Overall size may vary upon options chosen)

OPTIONAL FEATURES:

- S/S Recirculation Piping and Components
- Automatic Self Cleaning Screens
- Electromechanical Control
- De-scaling Cycle
- Automatic Tank Draining System
- Automatic Drain Discharge Cool-down
- Discharge Roller Conveyors
- Strip Chart Recorder
- Modem
- Ethernet or RS-485 Data Port
- Bedding Dispenser Controls
- 6' Single Blower Drying System
- 7' Double Blower Drying System
- Right or Left Hand Services
- Air Compressor
- Seismic Tie Down
- Detergent Dispensing Systems
- pH Neutralization System

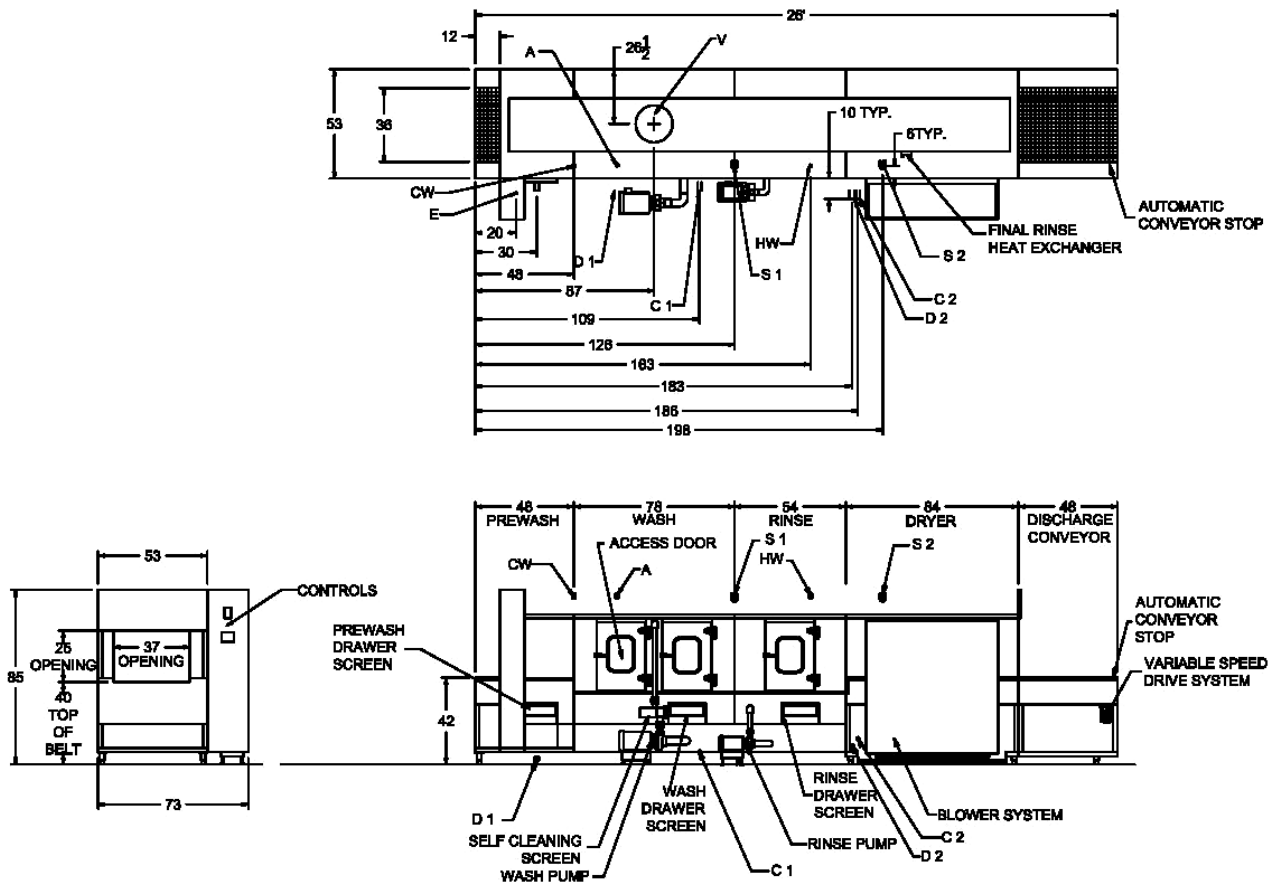
Make a Difference... Make it LYNX!

UTILITIES: 536LXi

E	Electrical	3-60-208/230/460V	24 Hp	
S1	Steam	2" NPT	30-80 PSI	1400 Lbs/Hr Flow Rate
S2*	Steam	2" NPT	30-80 PSI	1000 Lbs/Hr Flow Rate
HW	Hot Water	1 1/2" NPT	35-60 PSI	30-50 GPM @ 140°F ± 5°F (Fills Only) 12 GPM Continuous
C	Condensate	1" NPT	2 Required	
D	Drain	4" Floor Drain (Minimum)	50 GPM	2 Required
V	Vent	18" ID Duct	2200 CFM	Saturated Vapor @ 180 °F
A	Air	1/2" NPT	100-125 PSI	1-2 CFM Flow Rate
CW*	Cold Water	1 1/2" NPT	35-60 PSI	35 GPM @ 50°F

*S2 - Required if optional dryer package is ordered

*CW - Required if drain discharge cool down package is ordered



NOTE:

- The selection of certain options could reduce the above stated utilities. Please consult your LYNX representative to discuss your specific requirements.
- Drawing data is for general reference only. Each sized unit and selected options will effect the overall machine size. Obtain certified drawings for design and installation details.
- Specifications are subject to change without notice.



A Donald **BASIL** Company

Life Science Solutions

The LYNX mission is to provide Animal Care Washing Systems of the highest standards, quality, and reliability in the industry. Our service and customer care will be unmatched

Model 542LXi Tunnel Cage Washer

APPLICATION:

The Tunnel Cage Washer is a heavy duty, conveyORIZED, hydro-spray washer designed for thorough, efficient cleaning of cages, debris pans, bottles, feeder bowls, and miscellaneous items used in the care of laboratory animals.

STANDARD FEATURES:

- Integral Unitized Construction
- Removable Spray Headers
- Personnel Safety Features
- Micro-Computer Control System
- Drawer-type Solution Strainers
- Temperature Guarantee
- Insulated Construction
- Flat Wire Conveyor Belt
- Hydraulic Hold-down System
- Incoming Utility Gauges

CONSTRUCTION:

- All Stainless Steel Construction
- Splash Proof Access Doors
- Automatic Water Level Control
- One-piece Welded Construction
- Stainless Steel Steam Coil Heating
- Touch Screen Operator Interface
- 2-10 Feet/Minute Conveyor Drive Motor
- Direct Reading Pump Pressure Gauges
- Double-Pane Glass Windows

ACCESSORIES:

- Barrier Flange
- Modular Walls



SIZE:

Tunnel Opening: 25" high x 43" wide

Overall Size: 85" high x 79" wide

Washer Lengths: 10'-0", 15'-0", 19'-0" long

Note: Washer can be designed to any size to meet new or existing applications. (Overall size may vary upon options chosen)

OPTIONAL FEATURES:

- S/S Recirculation Piping and Components
- Automatic Self Cleaning Screens
- Electromechanical Control
- De-scaling Cycle
- Automatic Tank Draining System
- Automatic Drain Discharge Cool-down
- Discharge Roller Conveyors
- Strip Chart Recorder
- Modem
- Ethernet or RS-485 Data Port
- Bedding Dispenser Controls
- 6' Single Blower Drying System
- 7' Double Blower Drying System
- Right or Left Hand Services
- Air Compressor
- Seismic Tie Down
- Detergent Dispensing Systems
- pH Neutralization System

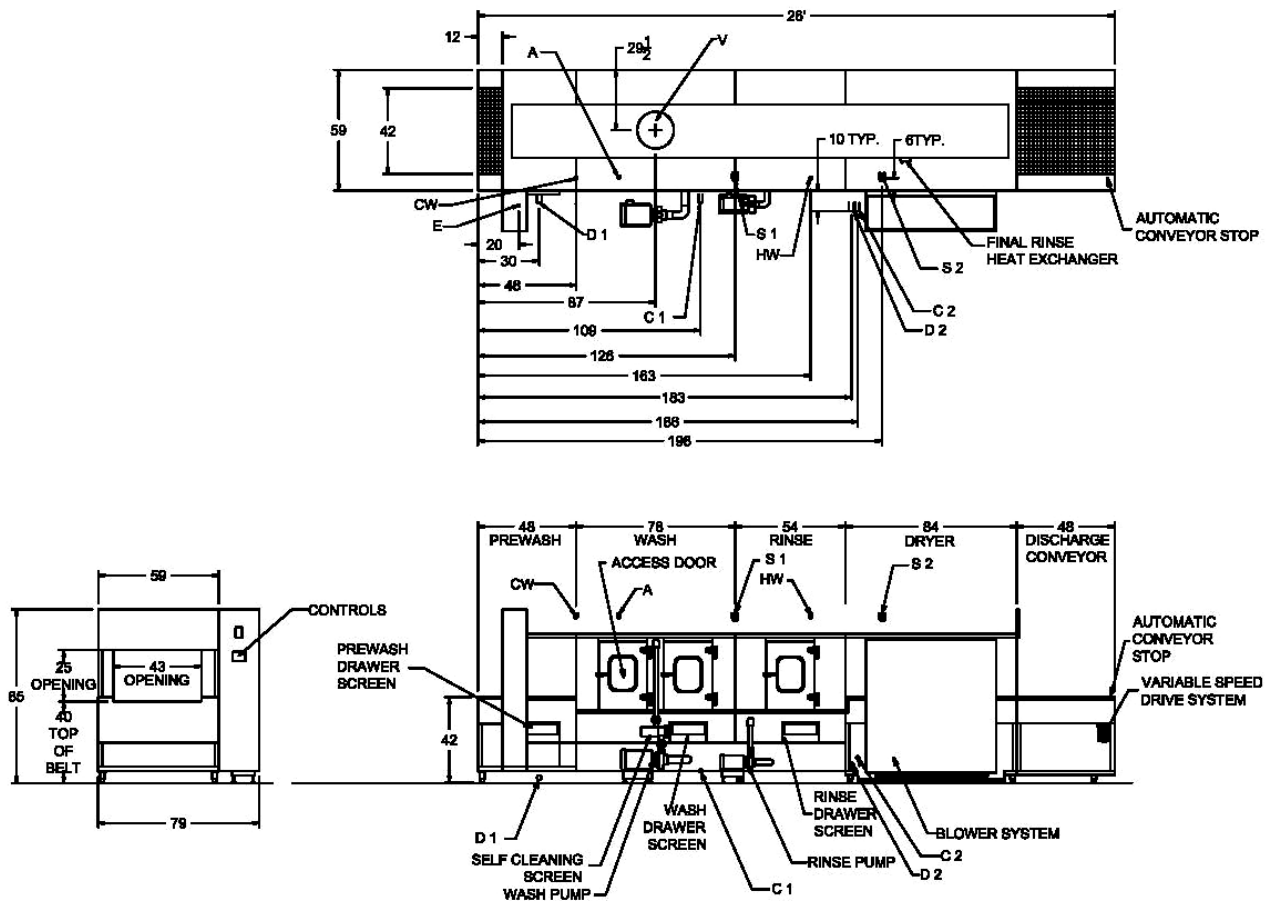
Make a Difference...Make it LYNX!

UTILITIES: 542LXi

E	Electrical	3-60-208/230/460V	24 Hp	
S1	Steam	2" NPT	30-80 PSI	1800 Lbs/Hr Flow Rate
S2*	Steam	2" NPT	30-80 PSI	1000 Lbs/Hr Flow Rate
HW	Hot Water	1 1/2" NPT	35-60 PSI	30-50 GPM @ 140°F ± 5°F (Fills Only) 14 GPM Continuous
C	Condensate	1" NPT	2 Required	
D	Drain	4" Floor Drain (Minimum)	50 GPM	2 Required
V	Vent	18" ID Duct	2200 CFM	Saturated Vapor @ 180 °F
A	Air	1/2" NPT	100-125 PSI	1-2 CFM Flow Rate
CW*	Cold Water	1 1/2" NPT	35-60 PSI	35 GPM @ 50°F

*S2 - Required if optional dryer package is ordered

*CW - Required if drain discharge cool down package is ordered



NOTE:

- The selection of certain options could reduce the above stated utilities. Please consult your LYNX representative to discuss your specific requirements.
- Drawing data is for general reference only. Each sized unit and selected options will effect the overall machine size. Obtain certified drawings for design and installation details.
- Specifications are subject to change without notice.



A Donald **BASIL** Company

Life Science Solutions

The LYNX mission is to provide Animal Care Washing Systems of the highest standards, quality, and reliability in the industry. Our service and customer care will be unmatched

Model 548LXi Tunnel Cage Washer

APPLICATION:

The Tunnel Cage Washer is a heavy duty, conveyORIZED, hydro-spray washer designed for thorough, efficient cleaning of cages, debris pans, bottles, feeder bowls, and miscellaneous items used in the care of laboratory animals.

STANDARD FEATURES:

- Integral Unitized Construction
- Removable Spray Headers
- Personnel Safety Features
- Micro-Computer Control System
- Drawer-type Solution Strainers
- Temperature Guarantee
- Insulated Construction
- Flat Wire Conveyor Belt
- Hydraulic Hold-down System
- Incoming Utility Gauges

CONSTRUCTION:

- All Stainless Steel Construction
- Splash Proof Access Doors
- Automatic Water Level Control
- One-piece Welded Construction
- Stainless Steel Steam Coil Heating
- Touch Screen Operator Interface
- 2-10 Feet/Minute Conveyor Drive Motor
- Direct Reading Pump Pressure Gauges
- Double-Pane Glass Windows

ACCESSORIES:

- Barrier Flange
- Modular Walls



SIZE:

Tunnel Opening: 25" high x 49" wide

Overall Size: 85" high x 85" wide

Washer Lengths: 10'-0", 15'-0", 19'-0" long

Note: Washer can be designed to any size to meet new or existing applications. (Overall size may vary upon options chosen)

OPTIONAL FEATURES:

- S/S Recirculation Piping and Components
- Automatic Self Cleaning Screens
- Electromechanical Control
- De-scaling Cycle
- Automatic Tank Draining System
- Automatic Drain Discharge Cool-down
- Discharge Roller Conveyors
- Strip Chart Recorder
- Modem
- Ethernet or RS-485 Data Port
- Bedding Dispenser Controls
- 6' Single Blower Drying System
- 7' Double Blower Drying System
- Right or Left Hand Services
- Air Compressor
- Seismic Tie Down
- Detergent Dispensing Systems
- pH Neutralization System

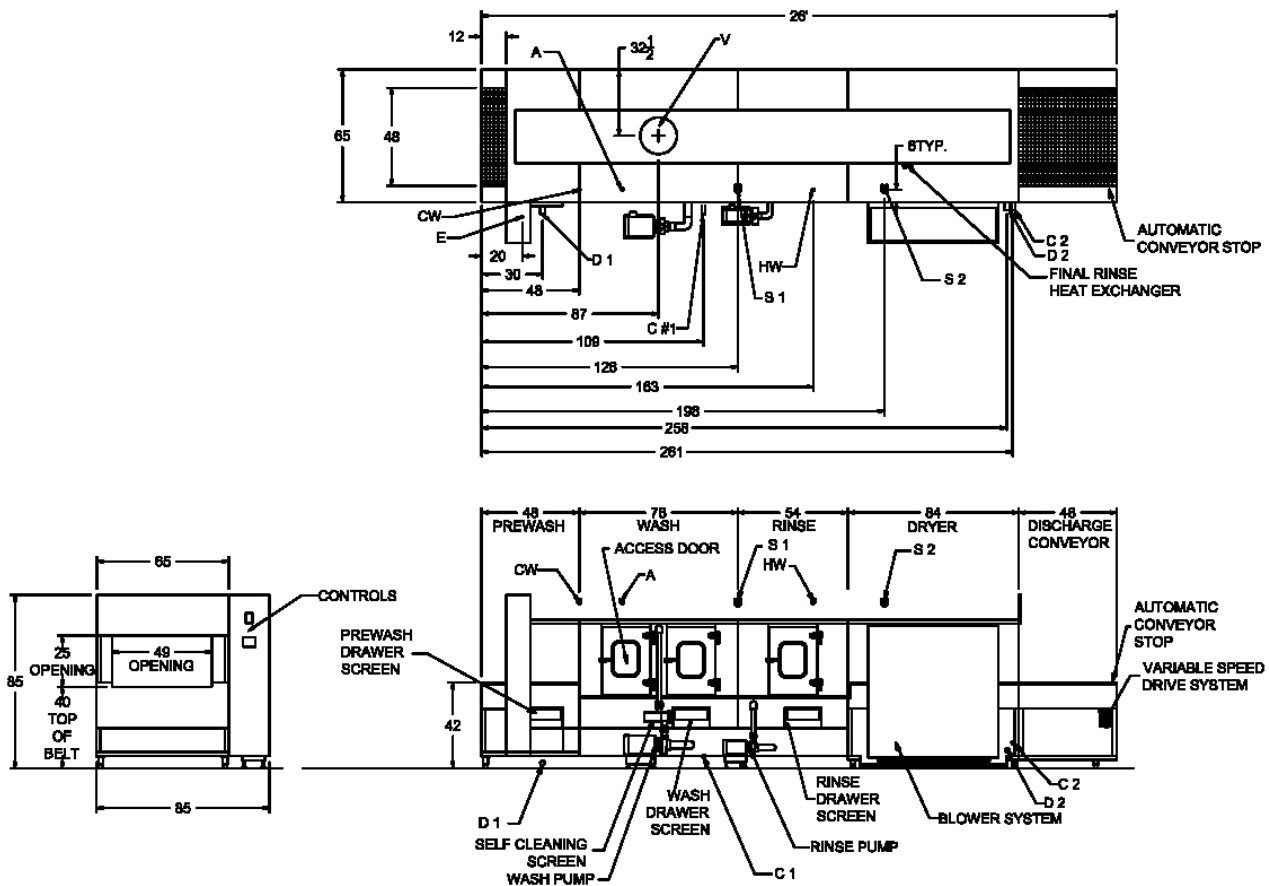
Make a Difference...Make it LYNX!

UTILITIES: 548LXi

E	Electrical	3-60-208/230/460V	24 Hp	
S1	Steam	2" NPT	30-80 PSI	1800 Lbs/Hr Flow Rate
S2*	Steam	2" NPT	30-80 PSI	1000 Lbs/Hr Flow Rate
HW	Hot Water	1 1/2" NPT	35-60 PSI	30-50 GPM @ 140°F ± 5°F (Fills Only) 14 GPM Continuous
C	Condensate	1" NPT	2 Required	
D	Drain	4" Floor Drain (Minimum)	50 GPM	2 Required
V	Vent	18" ID Duct	2200 CFM	Saturated Vapor @ 180 °F
A	Air	1/2" NPT	100-125 PSI	1-2 CFM Flow Rate
CW*	Cold Water	1 1/2" NPT	35-60 PSI	35 GPM @ 50°F

*S2 - Required if optional dryer package is ordered

*CW - Required if drain discharge cool down package is ordered



NOTE:

- The selection of certain options could reduce the above stated utilities. Please consult your LYNX representative to discuss your specific requirements.
- Drawing data is for general reference only. Each sized unit and selected options will effect the overall machine size. Obtain certified drawings for design and installation details.
- Specifications are subject to change without notice.